

## DeltaSol® Pool



rosenthal design 

### The system controller for solar swimming pool heating

The RESOL DeltaSol® Pool is a controller for heating a swimming pool by means of solar collectors and optimized operation of the filter system. Backup heating of the swimming pool is varied according to solar power and pool demand, thus saving expensive energy. Furthermore, the controller is equipped with a function control which shows whether the system runs faultlessly or if there is an error.

The controller has many additional pool functions such as: additional filter runtime, maximum limitation of flow temperature and a flushing function.

The DeltaSol® Pool can easily be connected to other modules via the RESOL VBus®.

#### RESOL DeltaSol® Pool

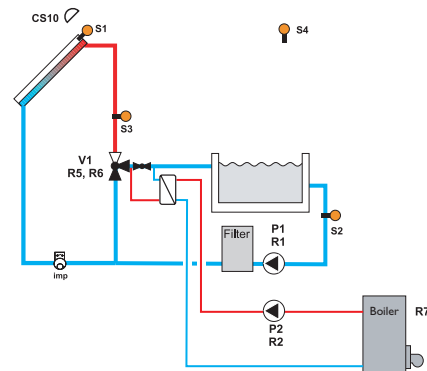
Heating and swimming pool controller for swimming pool heating  
**Article no.: 115 661 77**

#### RESOL DeltaSol® Pool - Full kit

Heating and swimming pool controller for swimming pool heating  
 incl. 3 Pt1000 sensors (1 × FKP6, 2 × FRP6)  
**Article no.: 115 661 87**

- Controller for heating a swimming pool by means of solar collectors and optimized operation of the filter system
- Solar operating hours counter and energy metering
- 13 sensor inputs
- 7 relay outputs
- Function control
- RESOL VBus®

The controller can be branded with your own logo.  
 Please contact our sales team.



### Accessory

#### RESOL SP10

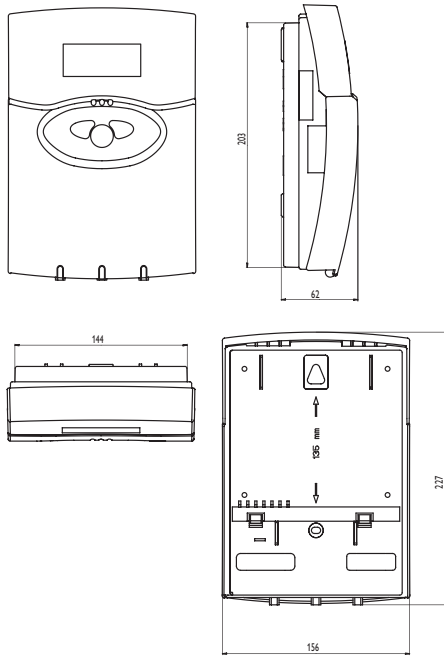
Overvoltage protection device placed in housing with outstanding design, suitable for mounting outdoors. We generally recommend installing the overvoltage protection in order to avoid overvoltage damage at collector sensors, e.g. caused by local lightning storms.



#### RESOL SP10

Sensor overvoltage protection  
**Article no.: 180 110 70**

## Technical data



**Housing:** plastic, PC-ABS and PMMA

**Protection type:** IP 20/EN 60529

**Ambient temperature:** 0 ... 40 °C/32...104 °F

**Dimensions:** 227 × 156 × 62 mm/8.9" × 6.1" × 2.4"

**Mounting:**

wall mounting, mounting into patch panels is possible

**Display:** 4-line LCD text display

**Operation:** 3 push buttons at the front

**Functions:** controller for heating a swimming pool by means of solar collectors and optimized operation of the filter system. Add-on backup heating of the swimming pool depending on the need and on the power of the solar collectors.

**Solar loading:** When the collector temperature is by an adjusted value higher than the pool temperature, solar loading starts. If the difference between flow and pool falls below a certain value, or if the maximum temperature is reached, solar loading is stopped.

**Sensor inputs:** 10 Pt1000 temperature sensors, 1 × CS10, 1 × IMP and 1 digital input

**Relay outputs:** 6 standard relays, 1 dry-contact relay

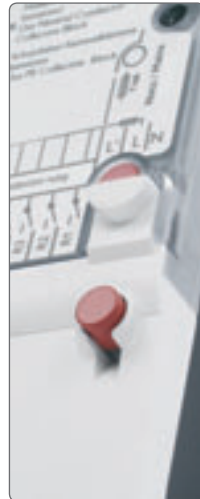
**Bus:** VBus®

**Power supply:** 115V~

**Switching capacity:**

2 (1) A 115V~ (standard relay)

4 (2) A 115V~ (dry contact relay)



Rapid maintenance



Easy operation and control

## Electrical connection

